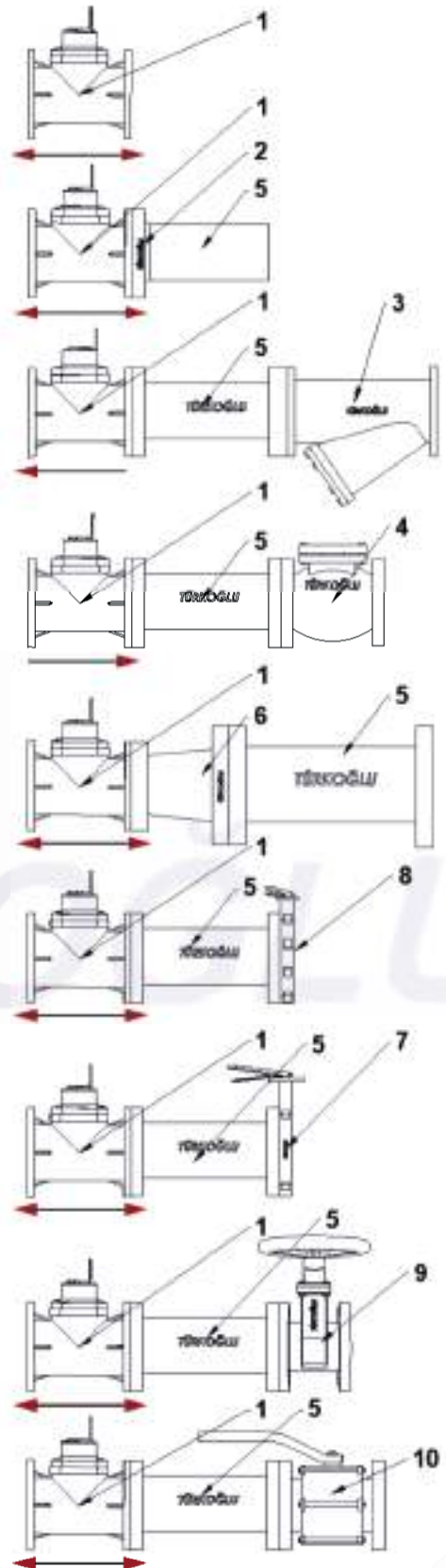


Single Jet Water Meter Connections

- 1 | **Woltman Water Meter**
- 2 | **Flange**
- 3 | **Y-Strainer**
- 4 | **Swing Type Check (Non-Return) Valve**
- 5 | **Extension Pipe**
- 6 | **Reducing Extension Pipe**
- 7 | **Butterfly Valve (Wafer Type)**
- 8 | **Butterfly Valve (Lug Type)**
- 9 | **Gate Valve**
- 10 | **Ball Valve**



(NOTE: Arrows indicate flow direction assembly)